

clipbox



Price list clipbox

Modules are handcrafted of MDF 16 or 12mm glue laminated with miters. Surfaces are waxed colored transparent or film finished. All parts are sold separately for individual disposition. Ask for colors, doors and individual proposals! Time for delivery is min. 4 weeks with advance invoice of 50%. Shipping is not included, subject to modifications!

module1

100,- € • 36 x 36 x 36cm

basis1 place • basis1 roll

50,- € • 32 x 32cm

(inclusive 1 **bolt**, also for **module1 open**, inclusive small stainless steel pivot fees or low castors without brake)

module2

130,- € • 72 x 36 x 36cm

basis2 place • basis2 roll

70,- € • 68 x 32cm

(inclusive 2 **bolt**, also for **module2 open**, inclusive small stainless steel pivot fees or low castors without brake)

module3

160,- € • 108 x 36 x 36cm

basis3 place • basis3 roll

80,- € • 104 x 32cm

(inclusive 2 **bolt**, also for **module3 open**, inclusive small stainless steel pivot fees or low castors without brake)

drawer1/2

50,- € • 32,4 x 34,3 x 15,4cm

(for **module1** with back panel with **shelf1** compartment)

drawer1

70,- € • 32,4 x 34,3 x 32,4cm

(for **module1** with back panel and free in **module2+3**)

drawer2

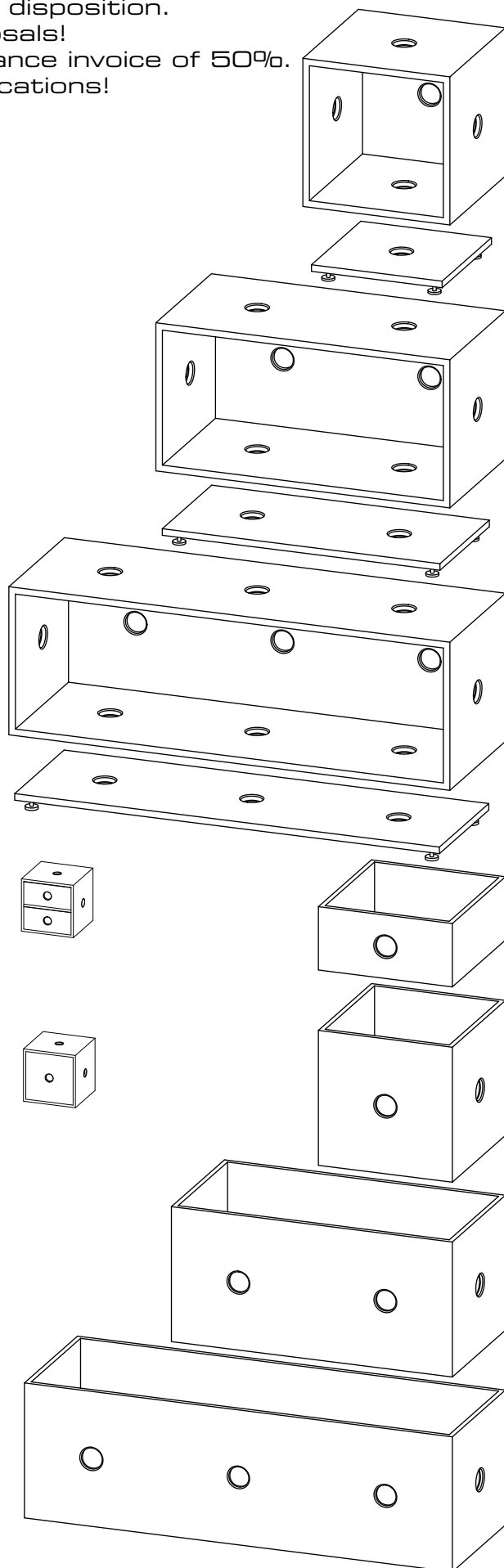
100,- € • 68,4 x 34,3 x 32,4cm

(for **module2** with back panel)

drawer3

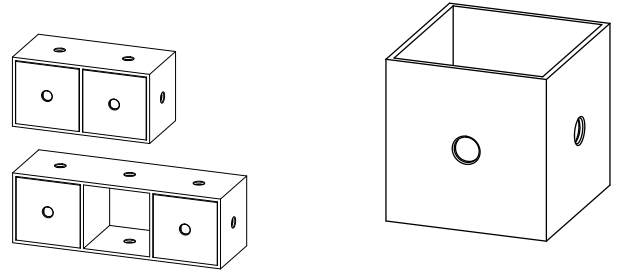
130,- € • 104,4 x 34,3 x 32,4cm

(for **module3** with back panel)



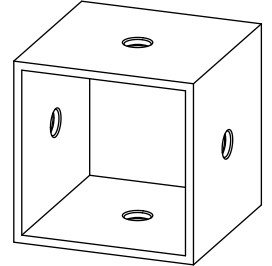
drawer2+3 open

70,- € • 33,2 x 36 x 32,4cm
(for **module2+3 open** without
back panels and with compartments)



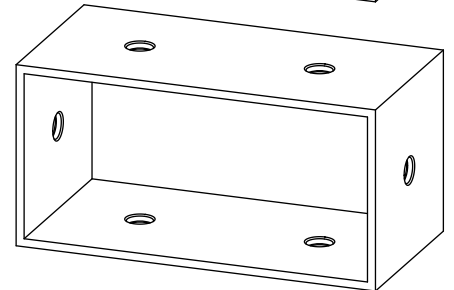
module1 open

80,- € • 36 x 36 x 36cm



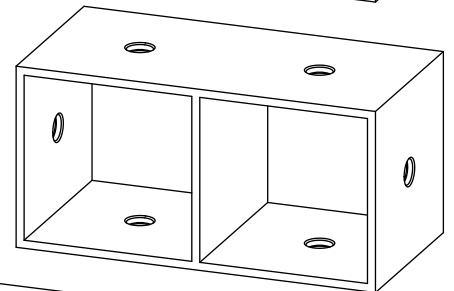
module2 open1

105,- € • 72 x 36 x 36cm



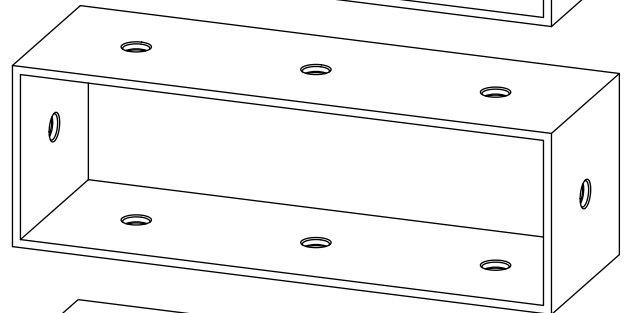
module2 open2

125,- € • 72 x 36 x 36cm
(one compartment)



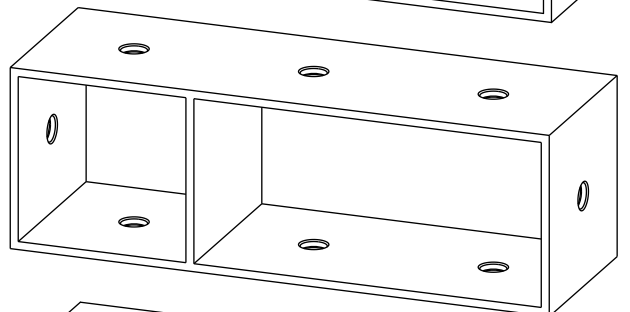
module3 open1

130,- € • 108 x 36 x 36cm



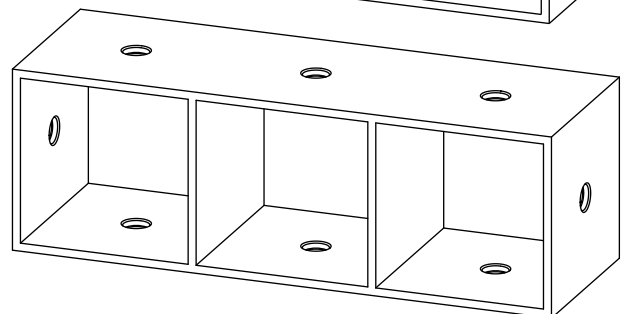
module3 open2

150,- € • 108 x 36 x 36cm
(one compartment)



module3 open3

160,- € • 108 x 36 x 36cm
(two compartments)



desk 1

60,- € ◦ 72 x 72 cm

desk 2

80,- € ◦ 144 x 72 cm

desk 3100,- € ◦ 180 x 72 cm
(variations possible)**section 1**25,- € ◦ 32,6 x 34,4 cm
(for **module 1** with back panel
with fixed shelf support)**shelf 1**

20,- € ◦ 32,6 x 34,4 cm

shelf 2

30,- € ◦ 68,6 x 34,4 cm

shelf 340,- € ◦ 104,6 x 34,4 cm
(for **module 1+2+3** with back panels
with **support** movable supporting disks,
shelves with grip holes are possible)**rod 1**

30,- € ◦ 4,8 or 2,6 x 36 cm ◦ stainless steel

rod 2

40,- € ◦ 4,8 or 2,6 x 72 cm ◦ stainless steel

rod 350,- € ◦ 4,8 or 2,6 x 108 cm ◦ stainless steel
(with **clamp** for poles or rails between side panels)**mount**10,- € stainless steel
(mounting disc for back and side panels
or upsides with wire suspensions)**support**10,- € stainless steel
(supporting disc for **shelf 1+2+3** shelves)**clamp**20,- € stainless steel
(clamp discs for **rod 1+2+3** poles and rails)**cover**10,- € stainless steel
(cover disc for grip holes on top)**bolt**10,- € stainless steel
(plug bolt for rotatable plug-in connections)**discs**10,- € plastic white ◦ 30,- € stainless steel
(connecting discs for rotatable constructions)